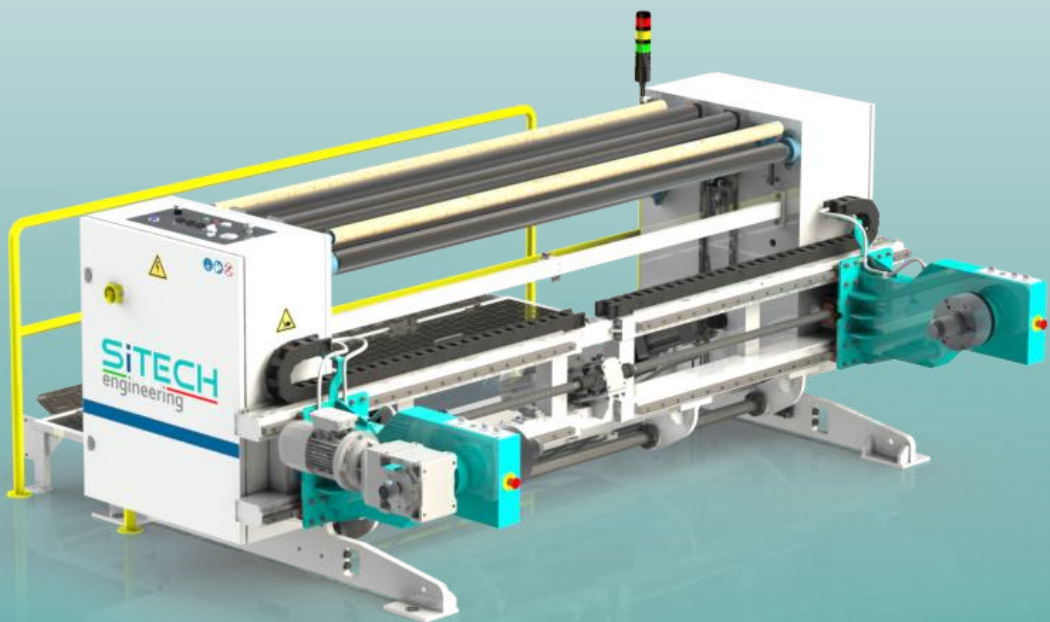


SITECH

engineering

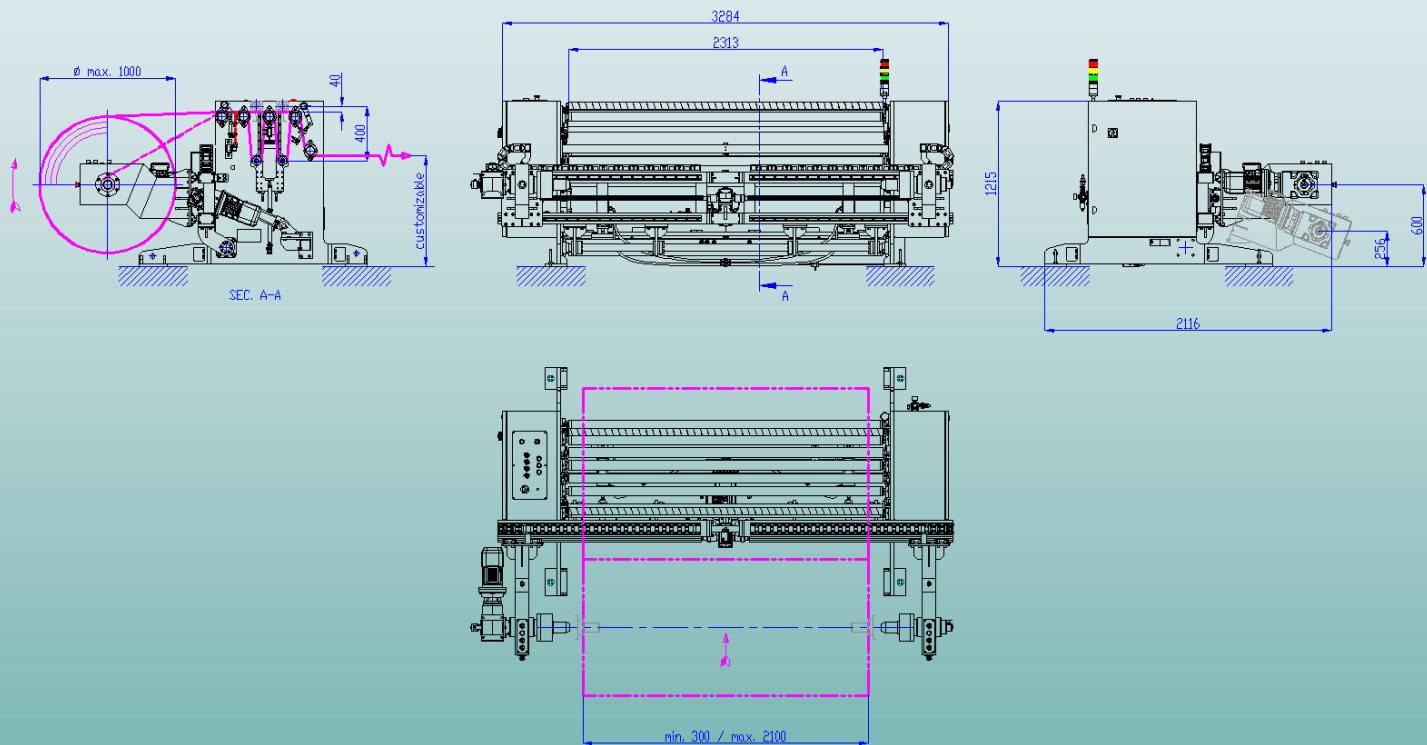
Heavy duty unwinder



SITECH engineering di Simone Luca
Via Lavezzari 23/A | 22072 Cermenate CO | ITALY
+39 333 6179336 | P.IVA 04065130132 | C.F.: SMNLCU86E03B639F
info@sitech-engineering.it | sitech@pec.sitech-engineering.it
www.sitech-engineering.it

Main features

- Rear pathwalk
- Easy drawing-in system
- Hydraulic lifting system
- User friendly control panel
- Motor driven adjustable support arms
- Pneumatic and adjustable tensioning system «zero weight»
- Equiped with expandable chucks (standard 3", adapter for 6 ")



- Electric power installed: 4 kW
- Electrical supply: 400 V @ 50 Hz
- Pneumatic pressure: 6 bar
- Hydraulic pressure: 170 bar
- Total weight: 1500 kg
- Roll width: min. 300 – max. 2100 mm
- Maximum roll diameter: 1000 mm
- Pneumatic chuck size: 3 "

Technical details