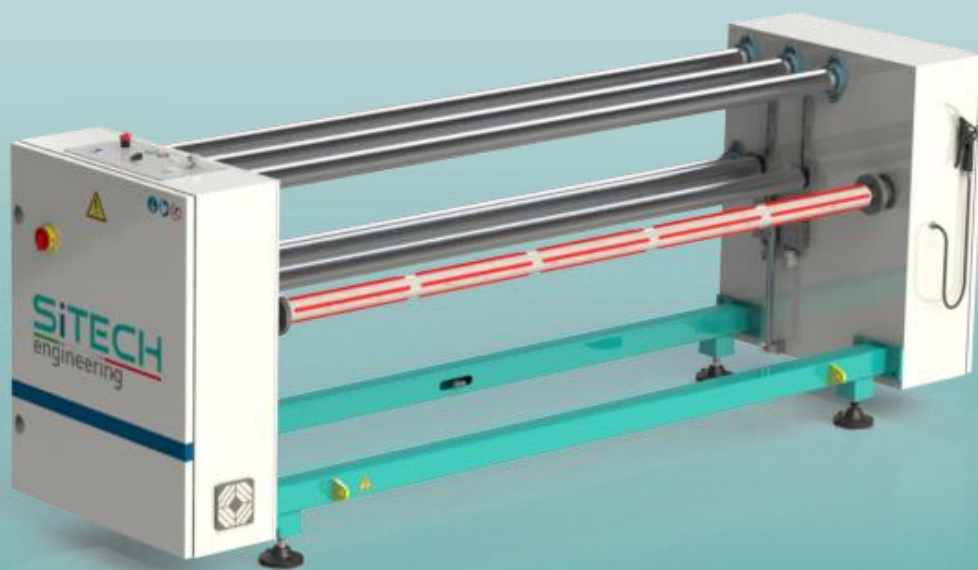


SITECH

engineering

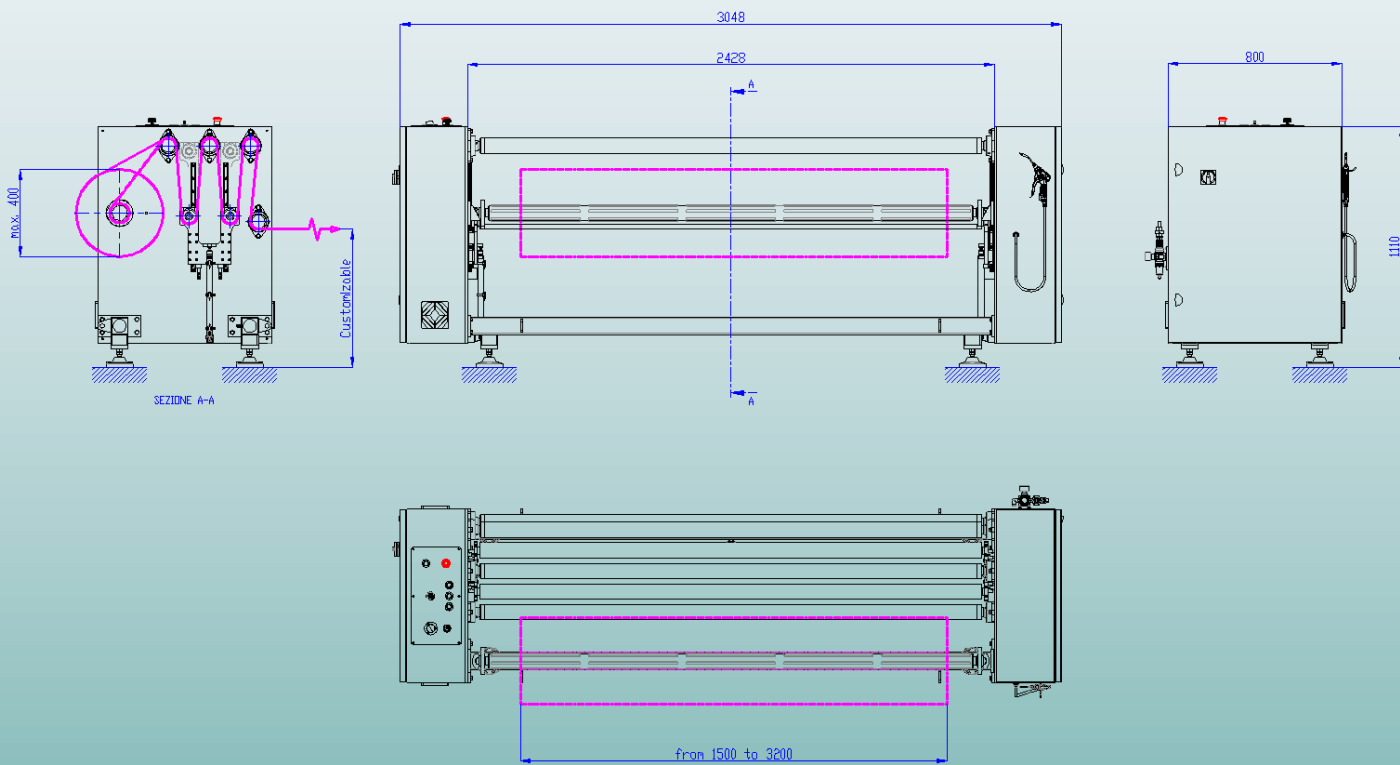
Light duty unwinder



SITECH engineering di Simone Luca
Via Lavezzari 23/A | 22072 Cermenate CO | ITALY
+39 333 6179336 | P.IVA 04065130132 | C.F.: SMNLCU86E03B639F
info@sitech-engineering.it | sitech@pec.sitech-engineering.it
www.sitech-engineering.it

Main features

- Equipped with expandable shaft
- Pneumatic and adjustable tensioning system «zero weight»
- User friendly control panel



- Electric power installed: 1 kW
- Electrical supply: 400 V @ 50 Hz
- Pneumatic pressure: 6 bar
- Total weight: 300 kg
- Roll width: 1500 – 3200 mm
- Maximum roll diameter: 400 mm
- Pneumatic expandable shaft size: 3 "

Technical details