

# SITECH

engineering

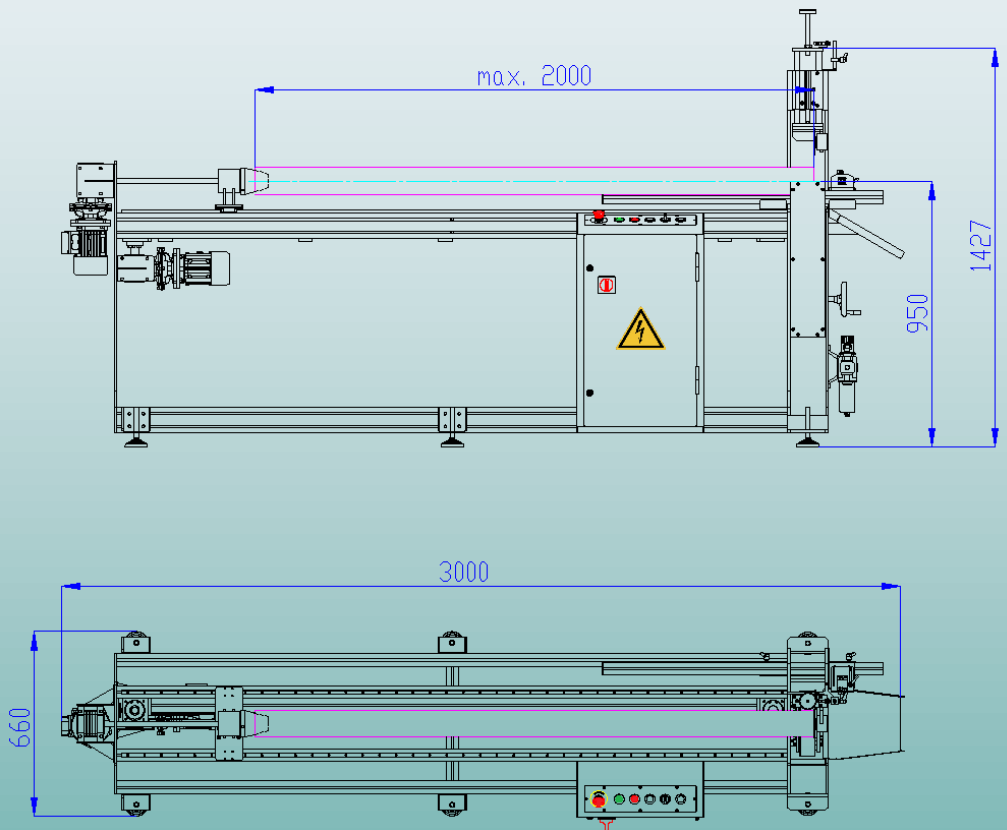
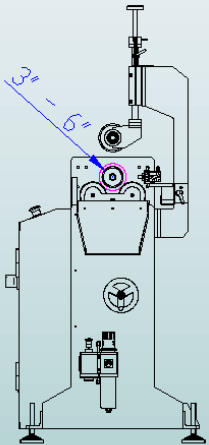
*Semiautomatic core cutter*



SITECH engineering di Simone Luca  
Via Lavezzari 23/A | 22072 Cermenate CO | ITALY  
+39 333 6179336 | P.IVA 04065130132 | C.F.: SMNLCU86E03B639F  
info@sitech-engineering.it | sitech@pec.sitech-engineering.it  
www.sitech-engineering.it

## Main features

- Core size from 3" to 6" (standard)
- Forwarding core motor driven
- Core spin during cutting
- Circular blade pneumatically actoned



- Electric power installed: 0,5 kW
- Electrical supply: 400 V @ 50 Hz
- Total weight: 250 kg
- Max core length: 2000 mm

## Technical details