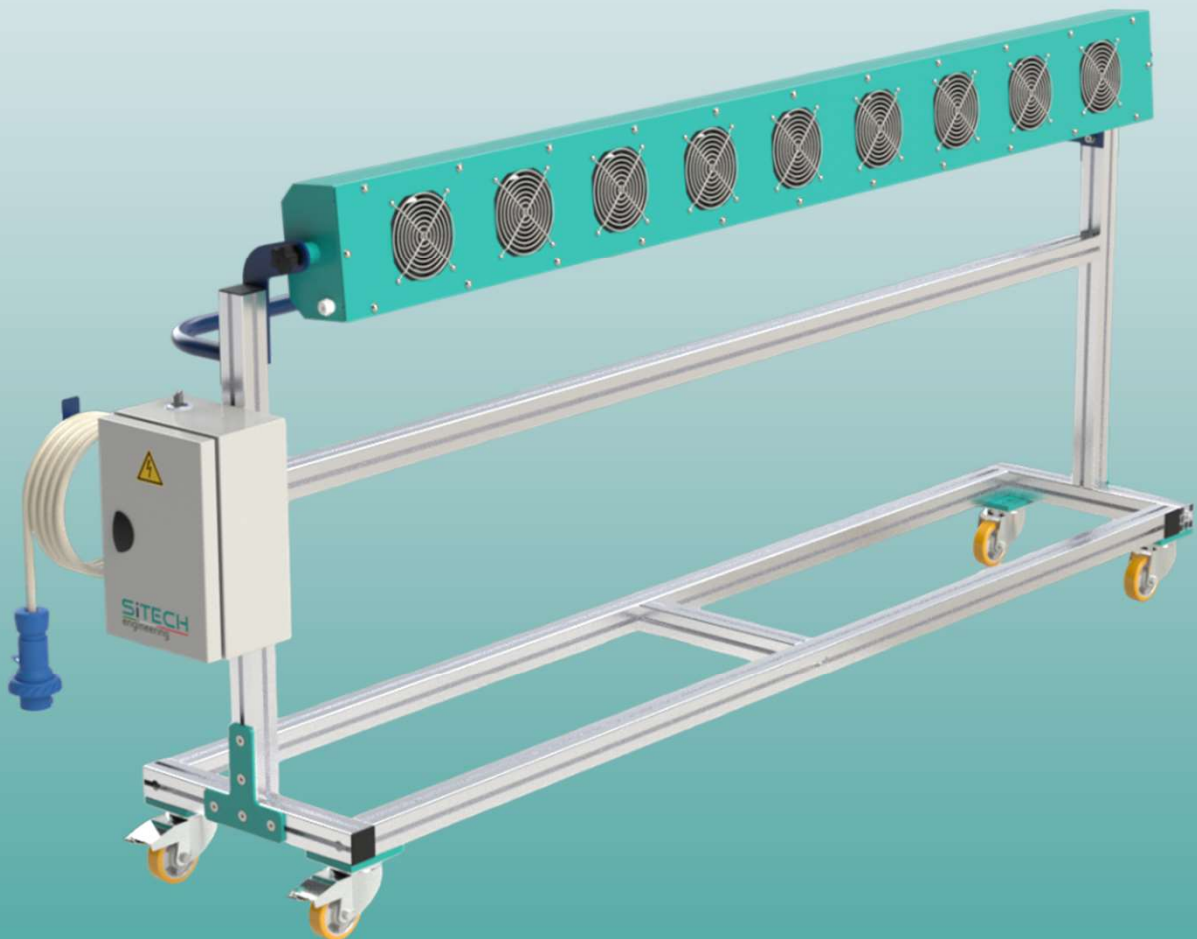


SITECH

engineering

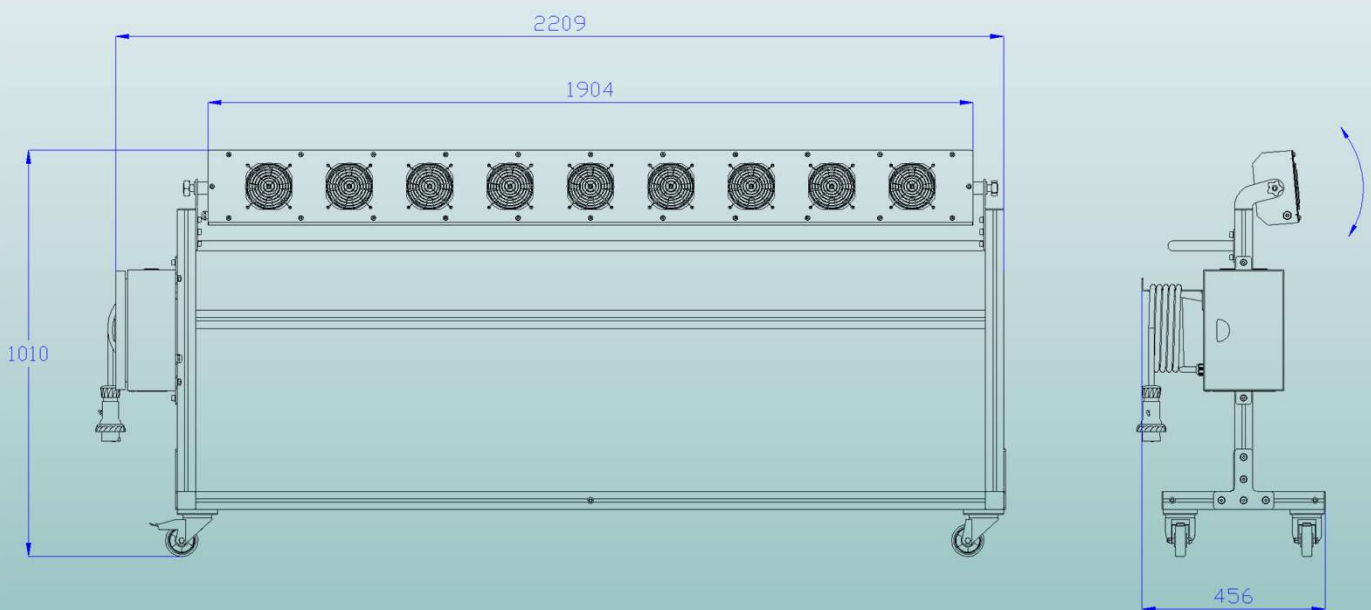
Mobile drying device for digital printing



SITECH engineering di Simone Luca
Via Lavezzari 23/A | 22072 Cermenate CO | ITALY
+39 333 6179336 | P.IVA 04065130132 | C.F.: SMNLCU86E03B639F
info@sitech-engineering.it | sitech@pec.sitech-engineering.it
www.sitech-engineering.it

Main features

- Air flow angle adjustable
- Light and handy structure
- Equipped with wire and plug
- Equipped with swivel wheels (2 locking wheels)



- Electric power installed: 140 W
- Electrical supply: 230 V @ 50 Hz
- Total weight: 50 kg
- Dryin area width: 1600 – 3200 mm

Technical details